

aoa cpu awg22

ground terminal awg22

A0AS  
AWG22

AOA CPU PIN21 "flaps"

A0ASGR  
AWG22

led red

forward seat

BF4 AWG22

BF2 AWG22

1 3 BF GR 18AWG

flaps stick switch

FRONT SEAT G205 STICK GRIP

BFGR 22AWG

BF3 AWG22

BF1 AWG22

A1 A2 BFGR 18AWG  
A3

BACK SEAT SWITCH

BFGR 22AWG

B5 GR 18AWG

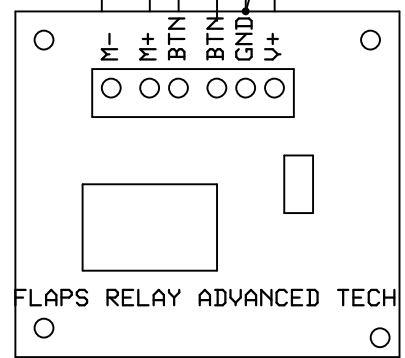
B4 AWG18

P7 AWG18

5A  
FLAPS BREAKER

P1 AWG8

BREAKER PANEL



BACK PANEL

WH-800 TERMINAL BLOCK BORNE FLAPS +V

<b>F-POLC</b>		
<b>Flaps volets atterissage</b>		
0 LE CARBONNIER	V1.5 test OK 27/5/2010	Page 1